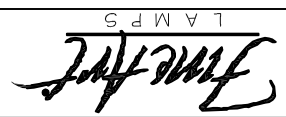
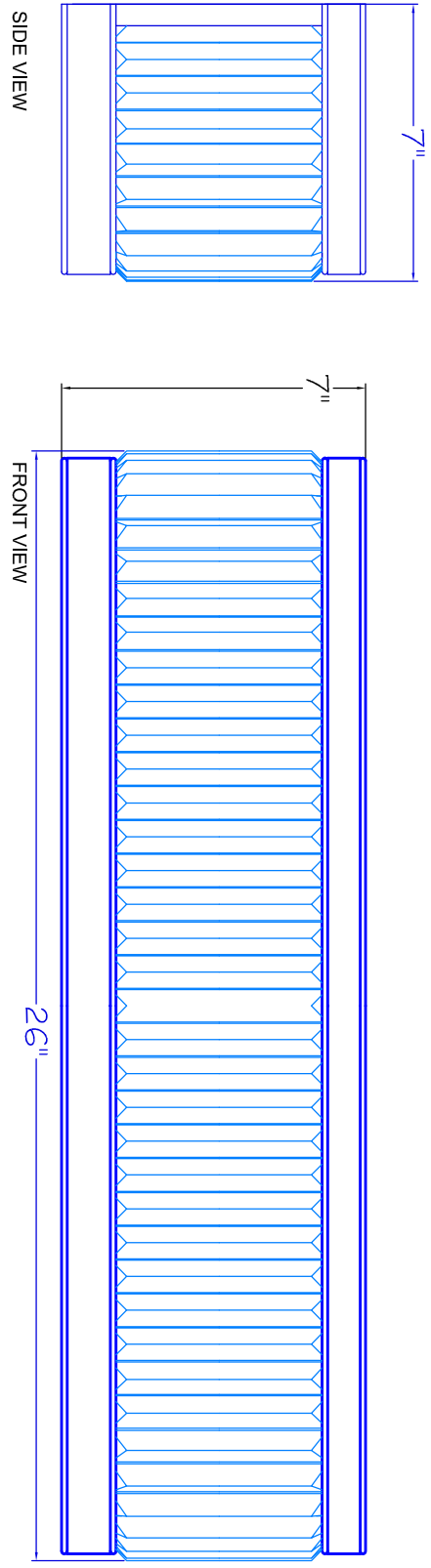
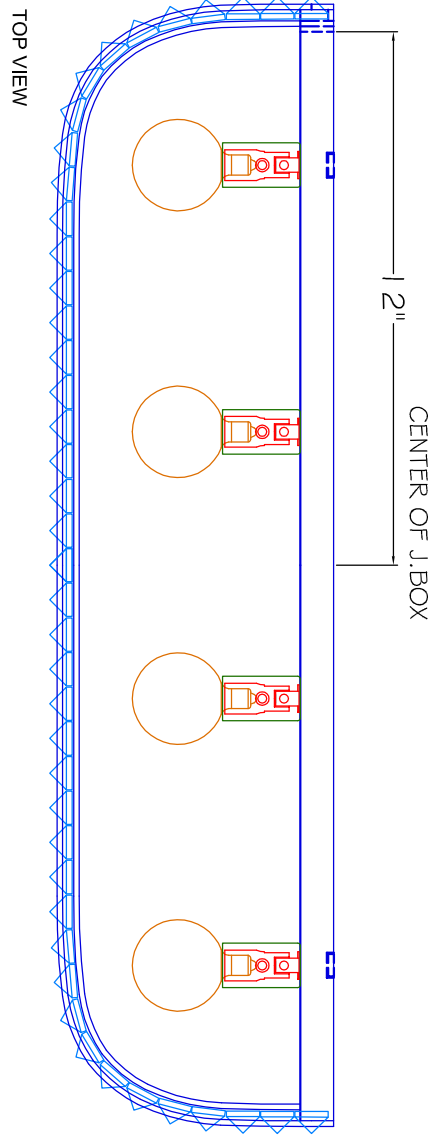
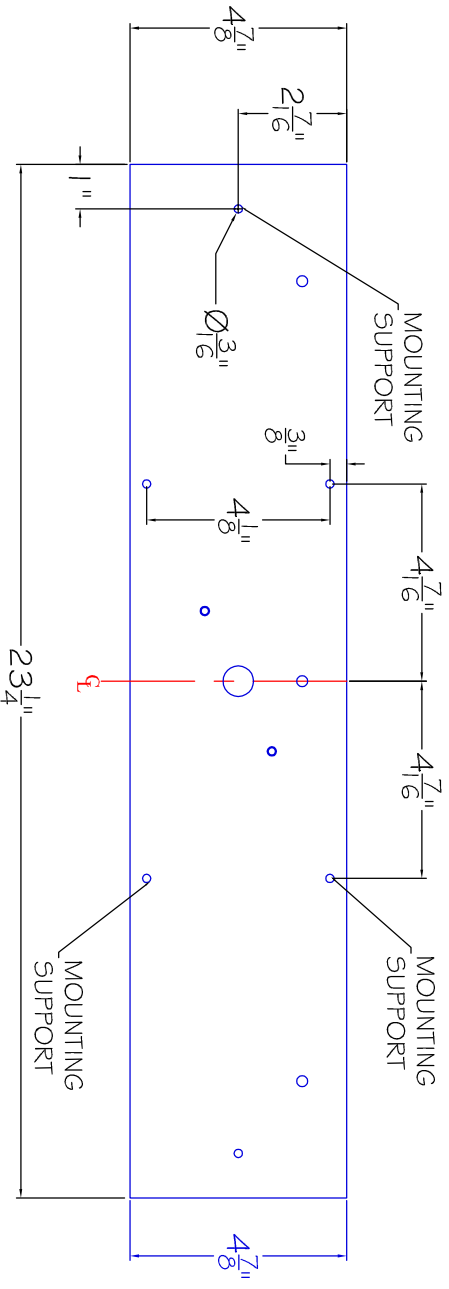


CUSTOMER REFERENCE INSTRUCTIONS

REV. #	1
ECN #	NA
IF APPLIC.	
REVISION DESCRIPTION	ORIGINAL RELEASED VERSION
REQD. BY	NA
DRAFTER	MMP
DATE	02/09/07



This drawing and specifications are the exclusive property of BLUMBERG INDUSTRIES, INC. Issued in strict confidence and shall not, without the prior written permission of BLUMBERG INDUSTRIES, INC., be produced, copied or used for any purpose whatsoever except the manufacture articles for FINE ART LAMPS.

5770-5772 Miami Lakes Dr. East / Miami Lakes, FL 33014
 Ph: (305) 821-3850 Fax: (305) 821-1564

STYLE NUMBER: 706530ST
 PART NUMBER: N/A
 SHEET: 1 / 1

ASSY. INSTRUCTION TEMPLATE DRAFTER: MMP STYLE ENGINEER: DATE: 02/09/07 REVISION: 1