

# LED Linear Pendant

# LP18260-UNV

INSTALLATION SHEET

## START FROM HERE

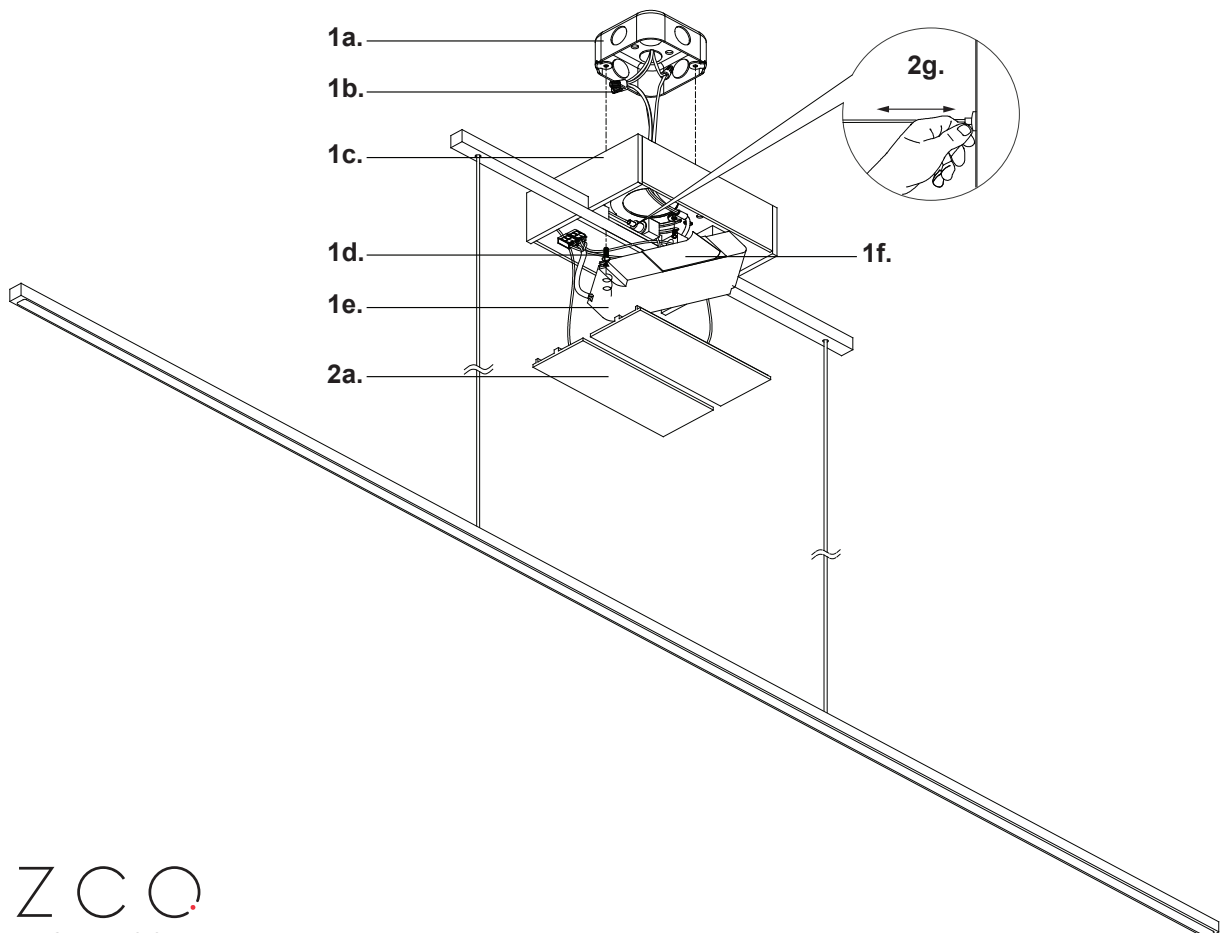
- Make sure **POWER** is **COMPLETELY OFF** at the fuse box
- Have your fixture installed by a qualified licensed electrician
- Prepare everything in a clear area
- Wear gloves at all time during this installation
- Read instructions carefully before you start assembly
- Keep this installation sheet for future reference

### Please Note:

- This Kuzco LED fixture comes with pre-wired LED module(s)
- Unless instructed, Do Not touch any part of the LED module(s) as any unnecessary contact with the module could cause permanent damage
- Use ELV (Electronic Low Voltage) or TRIAC type of dimmer for dimming application
- 120-277V input

Technical Support: 1-855-855-8926

1. Remove fixture from its original package
2. Pull magnetic plate (2a) off bottom of canopy (1c) to gain access
3. Attach canopy (1c) to electrical junction box (1a) using screws provided (1d) in hardware package
4. To change fixture height, push and hold wire gripper (2g), slide wire to desired length and then release wire gripper (2g) to secure
5. Make proper electrical connections (black to hot "L", white to neutral "N", ground to "GND") with wire nuts (1b) provided in hardware package
6. Remove tape (1f) off the driver and insert driver inside canopy (1c)
7. Close canopy (1c) by re-attach magnetic plate (2a), make sure no electrical wires or support cables are in the way



# KUZCO

19054 28th Avenue Surrey, BC Canada V3Z 6M3  
T: 604 538 7162 TF: 1-855 85 KUZCO F: 604 538 7196  
W: kuzcolighting.com  
20240618