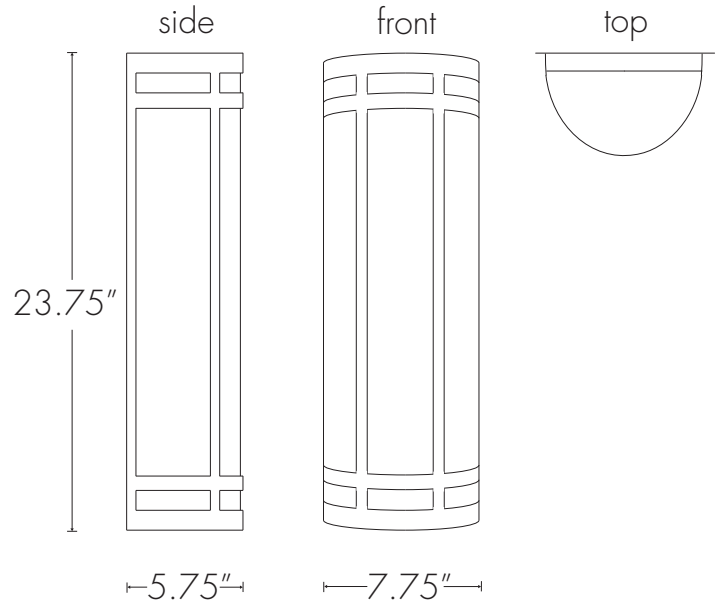
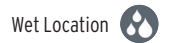


ULTRALIGHTS



CLASSICS 9133-24



Base Specifications:

23.75"h x 7.75"w x 5.75"d

01: Wet Loc - Incan - 2 x E26 - 60W max ea
Opal Acrylic Diffuser

Notes:

Horizontal mounting available*

02 / 04 Lamping: Wattage and Lumens - Initial at the source

9133-24	-	-	-
MODEL		FINISH	DIFFUSER
		LAMPING	

*Modifications:

- Horizontal mounting
- Top diffuser (LED only)
- Bottom diffuser

Other Modifications:

- BA - Bronze Age
- BK - Black
- BP - Black Pearl
- CB - Cast Bronze
- CH - Chestnut
- CR - Chrome
- DI - Dark Iron
- EB - Empire Bronze
- MB - Medieval Bronze
- NB - New Brass
- SB - Smokey Brass
- SP - Satin Pewter
- SS - Smoked Silver

- PREMIUM
- RCU - Raw Copper Unfinished

- OA - Opal
- PREMIUM
- CO - Caramel Onyx
- FA - Faux Alabaster
- TS - Tea Stained
- WS - White Swirl

- 01: Wet Loc Incan - 2 x E26 - 60W max ea - 120V
- 02: Wet Loc - LED - 16.8W - 2362 Lumens

- (Dim w/ Std Phase Dim) - 120V
- (Non-Dim or Dim w/ 0-10V Dim system) Universal

- 03: Damp / Dry Loc Incan - 2 x E26 - 60W max ea - 120V
- 04: Damp / Dry LED - 27.5W - 4318 Lumens (Non-Dim or Dim w/ 0-10V Dim system) - Universal
- 10: WRL - 2 x E26 - for LED Retro 20W max ea - 120V
- EM: Emergency Pack - Universal

COLOR TEMPERATURE / CRI

- 3000K (Standard) - CRI available upon request
- 2700K - CRI available upon request
- 3500K - CRI available upon request
- 4000K - CRI available upon request

Project Name:
Project Location:

Specifier Name:
Specifier Location:

Quantity:
Fixture Type:

WWW.ULTRALIGHTSLIGHTING.COM