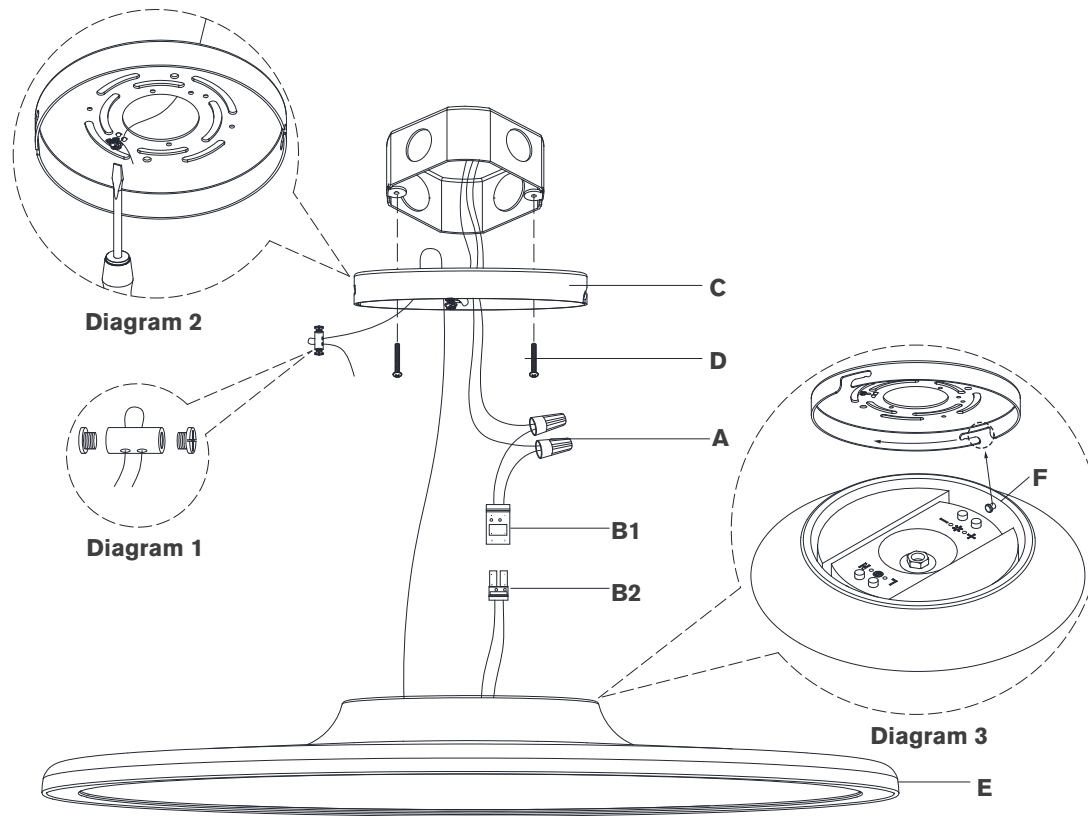


ASSEMBLY INSTRUCTIONS



Dot 22" Flush Mount

Item # PB 4005

NOTICE:

This light fixture should be installed in accordance with all applicable, local installation codes, and by a person familiar with the construction and operation of it, as well as the hazards involved. Inspect item and contents carefully. If any damage or defect is found, do not install. Retain all packaging material until installation is complete and approved.

TOOLS REQUIRED (NOT INCLUDED):

Phillips Screwdriver

Slotted Screwdriver

1. Carefully remove all parts from the box. Place on a clean, soft surface.
 2. Remove mounting plate (C) from fixture (E) by turning counter-clockwise.
 3. Install mounting plate (C) to the junction box and secure with mounting screws (D).
 4. Wrap fixture ground wire (bare copper) around the green grounding screw (see diagram 2). Tighten.
- NOTE:** It is imperative that the fixture is grounded.
5. Connect quick connector neutral wire (white) to the supply neutral wire (usually white) using wire nut (A).
 6. Connect quick connector hot wire (black) to the supply hot wire (usually black) using wire nut (A).
- CAUTION:** Do not reverse the hot and neutral connections.
7. Run support cable through hole on back of mounting plate (C). Loosen cable lock and install to end of support cable. Insert other end of cable through the cable lock and tighten ends with a screwdriver to secure. See diagram 1.
 8. Make sure all wire connections are tight, then carefully tuck into the junction box.
 9. Connect quick connectors (B1) & (B2) together.
 10. Align screws (F) on fixture (E) with slots on mounting plate (D), then turn clockwise until locked in place. See diagram 3.

Care Instructions: Clean only with a soft dry cloth or feather duster. Do not use abrasive or chemical agents.

VISUAL COMFORT

