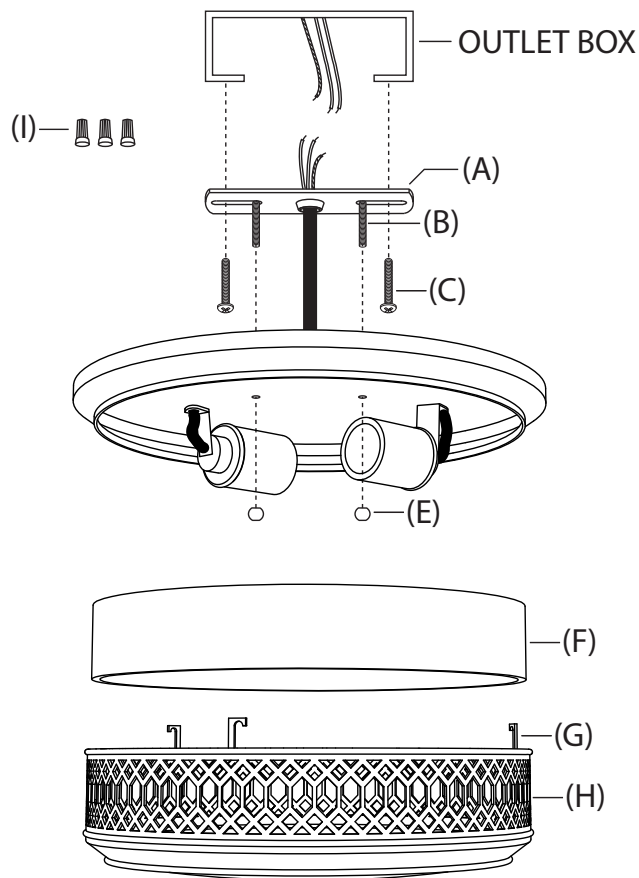


ASSEMBLY INSTRUCTIONS FOR YOUR
WILLIAMSBURG TUCKER SMALL FLUSH MOUNT



IMPORTANT SAFETY INSTRUCTIONS:

- *These instructions are provided for your safety. It's important that they're read completely before beginning installation of fixture.
- *WE STRONGLY RECOMMEND INSTALLATION BY A LICENSED ELECTRICIAN.**
- *Turn off power at switch before replacing bulbs, making sure fixture has had sufficient time to cool down.
- *If any special control devices are used with this fixture, follow the instructions carefully to assure full compliance with N.E.C. requirements. If there are any questions, contact a qualified electrical contractor.

ASSEMBLY INSTRUCTIONS:

1. SHUT OFF THE MAIN ELECTRICAL SUPPLY FROM THE MAIN FUSE BOX/ CIRCUIT BREAKER.
2. Remove all parts from carton, and remove all packing material. Do not throw away any parts.
3. Set fixture on a level surface so shade (H) is facing up. Remove shade from fixture by rotating metal frame (H) counterclockwise and lifting it straight up. Tabs (G) will slide off of metal pins inside canopy (D) so the parts can be separated. Set shade (H) aside.
4. Remove cross bar (A) from canopy (D) by removing nuts (E). Set nuts (E) aside.
5. Attach cross bar (A) (with screws (B) attached) to ceiling outlet box using screws (C), provided.
6. Lift canopy (D) to cross bar (B) and guide wiring from canopy (D) through center hole in cross bar (A). Make proper electrical connections as described in steps 7 - 9. A LICENSED ELECTRICIAN IS RECOMMENDED.
7. Attach ground wire from fixture (GREEN in color) to ground wire in outlet box (usually GREEN or COPPER in color). IT IS IMPERATIVE THAT THE OUTLET BOX IN YOUR HOME BE PROPERLY GROUNDED.
8. Connect the neutral wire from fixture (WHITE in color or RIBBED side of wire) to the neutral wire from the outlet box. Fasten wires together using wire nut (I) and tightly wrap connection with electrical tape.
9. Connect the hot wire from fixture (BLACK in color or SMOOTH side of wire) to the hot wire from the outlet box. Fasten wires together using wire nut (I) and tightly wrap connection with electrical tape. Carefully push wires back into the ceiling outlet box.
10. Align holes in canopy (D) with screws (B) on crossbar (A). Lift canopy (D) to crossbar (A) so screws (B) protrude through holes in the canopy. Attach nuts (E) to the exposed threading on screws (B) to secure the canopy to the crossbar.
11. Insert two 40W MAX Type B, medium base bulbs into the sockets.
12. Carefully place glass ring (F) inside shade (H). Lift the shade to canopy (D). Slide metal frame (H) into canopy (D). Carefully rotate shade frame (H) clockwise until tabs (G) slip over the pins in canopy (D) and the shade is securely attached in place.

* To clean, use soft cloth only. Do not use any chemical or abrasive cleaners. *